



INSTRUCTION MANUAL

DELUXE LARGE GARDEN TROLLEY WITH LINER & TRAY

MODEL NO: THDLGT -- PRODUCT NO: 1938208001

EN - ORIGINAL INSTRUCTIONS

ASSEMBLY REQUIRED - MINIMUM TWO PERSONS

SAVE THESE INSTRUCTIONS

SPARES & SUPPORT: 01793 333212

FOR YOUR SAFETY

Please read & understand this manual, paying attention to the safety instructions, before use.

Incorrect use of the product could put the operator or machine in danger.

Whilst every effort has been made to ensure the accuracy of information contained in this manual, our policy of continuous improvement determines the right to make modifications without prior warning.

Images used are for illustration purposes only.

Copyright Notice

Copyright © Handy Distribution

Permission is granted to reproduce this publication for personal & educational use only.

Commercial copying, redistribution, hiring or lending is prohibited.

No part of this publication may be stored in a retrieval system or transmitted in any other form or means without written permission from Handy Distribution.

In all cases this copyright notice must remain intact.

CONTENTS

SPECIFICATIONS

IMPORTANT INFORMATION

GENERAL SAFETY INSTRUCTIONS

COMPONENTS

ASSEMBLY

OPERATION

MAINTENANCE

STORAGE

TROUBLE SHOOTING

PARTS DIAGRAM & LIST

WARRANTY

ASSEMBLY IS REQUIRED - MINIMUM TWO PERSONS

This product requires assembly before use. See "Assembly" section for instructions. Because of the weight and/or size of the trolley, it is recommended that another adult be present to assist with the assembly. **INSPECT ALL COMPONENTS** closely upon receipt to make sure no components are missing or damaged.

If you require assistance with regards to the contents or operation of the machine, please contact us:

TEL: 01793 333212

EMAIL: customerservice@handydistribution.co.uk

(MON – FRI 8.00AM TO 5.30PM EXCL. BANK HOLIDAYS)

SPECIFICATIONS

The manufacturer reserves the right to change the product specification and livery according to continued product improvements.

Model	THDLGT
Product Number	1938208001
Weight	N.W 30kg
Rated Load Capacity	400kg
Bed Dimensions (mm)	L 1105 x W 555 x H 260mm
Overall Dimensions (mm)	L 1260 w/o Handle - 2030 Tow Hitch - 2120 Pull Handle W 630 H 645 w/o Handle - 1135 Tow Hitch - 1175 Pull Handle
Tyre	13 x 5.00-6 - Puncture-Less
Hitch Type	Pin

IMPORTANT INFORMATION

INTENDED USE

The trolley is designed for use in private gardens and primarily used around **GRASS OR LAWN AREAS**, but not in public facilities, parks or sports grounds and not for agricultural or forestry use. Never exceed the rated load capacity of 400kg.

This is a garden trolley, therefore extended use over abrasive surfaces (e.g. concrete, tarmac etc.) could cause premature wear on the tyres. Commercial or industrial environments are not recommended.

When operating with a tractor, do not exceed 5mph.

Generally acknowledged accident prevention regulations and enclosed safety instructions must be observed.

Only perform work described in these instructions for use, any other use is incorrect. The manufacturer will not assume responsibility for damage resulting from such use.



WARNING

Read this instruction manual carefully before operating this machine. Make sure that you are familiar with the controls and properly operate the machine. Following these instructions can reduce the risk of personal injury.

IF NOT USED PROPERLY THIS MACHINE CAN BE DANGEROUS!

This machine can cause serious injury to the operator and others, the warning and safety instructions must be followed to ensure reasonable safety and efficiency in using this product. The operator is responsible for following the warning and safety instructions in this manual and on the machine. Never use the product unless the components are correctly positioned and operational.

TRAINING

Read the instructions carefully: Be familiar with the controls and the proper use of the equipment.

Never allow children or people unfamiliar with these instructions to use the product.








Local regulations can restrict the age of the operator.

Keep in mind that the operator or user is responsible for accidents or hazards involving the machine that occur to other people or their property.

GENERAL SAFETY INSTRUCTIONS

It is important that you read and understand the owner's manual and labels affixed to the machine. Learn its application and limitations as well as the specific potential hazards. Retain these instructions for future reference. The operator is responsible for following the warnings & instructions in this manual and on the product.

SAFETY SYMBOLS

	Read & understand the operator's manual for the trolley and the ride on product used to pull the trolley before using the machine. Failure to follow instructions could result in death or serious injury.		Risk of Slicing. Keep hands out of the way of all moving parts.
	Wear gloves to protect your hands. Wear foot protection at all times.		Safety alert symbol. Used to alert you to potential personal injury hazards. Obey all safety messages that follow this symbol to avoid possible injury.
 DANGER	Indicates an imminently hazardous situation which, if not avoided, will result in serious injury.	 WARNING	Indicates a potentially hazardous situation which, if not avoided, could result in serious injury.
 CAUTION	Indicates a potentially hazardous situation which, if not avoided, may result in minor or moderate injury.	CAUTION	Used without the safety alert symbol indicates a potentially hazardous situation which, if not avoided, may result in property damage.

IMPORTANT SAFETY WARNINGS


TO REDUCE RISK OF INJURY: Before any use be sure everyone using this product reads and understands all safety instructions and other information contained in this manual.

GENERAL SAFETY

STAY ALERT

Do not operate the machine while under the influence of drugs, alcohol, or any medication that could affect your ability to use it properly. Do not use this machine when you are tired or distracted from the job at hand. Be aware of what you are doing at all times. Use common sense.

USERS

Do not at any time carry passengers sit or stand on the trolley. Do not allow children to play on, stand upon or climb on the trolley. Never allow children or people unfamiliar with these instructions to use the machine. Local regulations can restrict the age of the operator.

AVOID DANGEROUS CONDITIONS

Work in daylight or in good artificial light; always be sure of your footing on slopes; walk, never run with the machine; exercise extreme caution when changing direction on slopes; do not work on excessively steep slopes; use extreme caution when reversing or pulling the machine towards you; do not put hands or feet near or under rotating or moving parts.

KEEP BYSTANDERS AND CHILDREN AWAY

Keep unauthorised persons a safe distance away from the machine. If approached, stop the machine immediately. Do not allow children to handle, climb on or use the machine. Keep in mind the operator or user is responsible for accidents or hazards occurring to other people or their property.

INSPECT YOUR MACHINE

Check all bolts, nuts, and screws for tightness before each use, especially those securing guards and drive mechanisms. Vibration during use, may cause these to loosen.

Form a habit of checking to see that all other tools/equipment are removed from the working area before turning it on. Replace damaged, missing or failed parts before using it. Warning labels carry important information. Replace any missing or damaged warning labels.

DRESS PROPERLY

Do not wear loose clothing, gloves, scarfs, neckties or jewellery (rings, wrist watches), which can be caught in moving parts. Always wear long trousers. Always wear substantial non slip, substantial or heavy-duty safety footwear are highly recommended when working. Never operate barefoot or when wearing sandals. Wear a face or dust mask if the operation is dusty. Always wear safety glasses/goggles and/or face shields. Everyday eyeglasses have only impact resistant lenses; they are not safety glasses/goggles. Wear protective hair covering to contain long hair, preventing it from getting caught in machinery.

DO NOT OVERREACH

Always keep proper footing and balance when using the machine. Use on slopes with great care. Never stand on the machine. Serious injury could occur if the machine is tipped or if the moving parts are unintentionally contacted. Do not store anything above or near the machine, where anyone might stand on the machine to reach them.

AVOID INJURY FROM UNEXPECTED ACCIDENT

Keep hands & feet out of the way of all moving parts. Do not place any part of your body or any tool e.g. in the machine during operation.

DO NOT FORCE TOOL

Do not exceed equipment maximum load capacity of 400kg. Avoid large holes and ditches when transporting loads. Always work within the rated capacity. Do not use machine for a purpose for which it was not intended. Be careful when operating on steep grades (hill) the trolley may tip over. Always operate at reduce speed in rough terrain, along creeks, ditches and on hillsides. Do not operate close to creeks, ditches and public highways. To avoid personal injury and/or equipment damage **DO NOT EXCEED 5 MPH**. Always use caution when loading and unloading the trolley. Only tow with recommended vehicles (Lawn/Garden Tractors and ATVs). Always secure and lock trolley to the vehicle hitch before operating.

NEVER LEAVE MACHINE UNATTENDED

Do not leave the machine unattended until it has come to a complete stop.

INSPECT

Before using, always visually inspect to see that the tools are not worn or damaged. Replace worn or damaged elements and bolts in sets, to preserve balance.

MAINTAIN YOUR MACHINE WITH CARE

Clean the machine immediately after use. Keep the machine clean to ensure it operates to it's full and safest performance. When maintaining this machine, only the manufacturer's original replacement parts should be used. The use of non-original manufacturer parts may invalidate your warranty.

PROTECT THE ENVIRONMENT

Take left over materials to an authorised collection point or follow the stipulations in the country where the machine is used. Do not discharge into drains, soil or water.

STORE IDLE EQUIPMENT

When not in use, the machine should be stored in a dry location. Keep the machine away from children and others not qualified to use it. Keep away from direct sunlight.



WARNING

The warnings, cautions, and instructions outlined in this instruction manual cannot cover all possible conditions or situations that may occur. It must be understood by the operator that common sense and caution are factors which cannot be built into this product and must be supplied by the operator.

COMPONENTS

This product must be assembled correctly before use. Carefully remove the product and any accessories from the carton. Inspect the product carefully to make sure there are no breakages or damage occurred during shipping. Do not discard the packing material and carton until you have carefully inspected and satisfactorily operated the product.

Take all parts out of the shipping crate and inspect components to ensure there are no missing pieces before starting to assemble trolley.

If you require assistance with regards to the contents or operation of the machine, please contact us:

TEL: 01793 333212

EMAIL: customerservice@handydistribution.co.uk

(MON – FRI 8.00AM TO 5.30PM EXCL. BANK HOLIDAYS)















WARNING

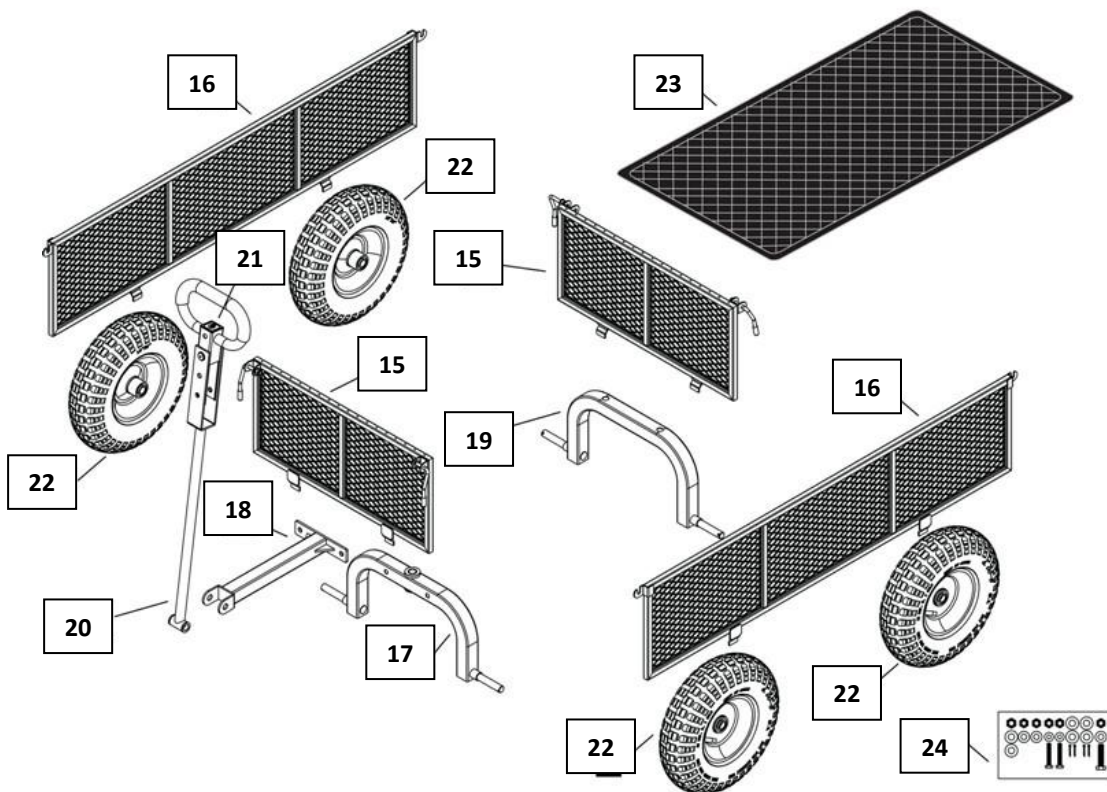
If any parts are damaged or missing do not operate this product until the parts are replaced. Failure to heed this warning could result in serious personal injury.

Do not attempt to modify this product or create accessories not recommended for use with this product. Any such alteration or modification is misuse and could result in a hazardous condition leading to possible serious personal injury.

Read and follow all instructions for assembly and operation. Failure to properly assemble this equipment could result in serious injury to the user or bystanders, or cause equipment damage.

ITEM	DESCRIPTION	QTY	ITEM	DESCRIPTION	QTY
1	M16 Nut	1	14	Lever	4
2	Φ16 Plastic Washer	1	15	Front/Rear Panels	2
3	Φ16 Metal Washer	1	16	Left/Right Side Panels	2
4	M10x55 Bolt	2	17	Front U-Frame Axle	1
5	Φ10 Washer	2	18	T-Frame	1
6	M10 Nut	2	19	Rear U-Frame	1
7	Φ14 Washer	2	20	Handle	1
8	M14 Bolt	2	21	Handle Box	1
9	Φ16 Wheel Washer	4	22	Wheel with Puncture-Less Tyre	4
10	Φ3mm Wheel Pin	4	23	Frame	1
11	M14x70 Bolt	1	24	Fixing Kit	1
12	Φ14 Washer	4	25	Liner	1
13	M14 Nut	1	26	Tray	1

1	 M16 Nut	8	 M14 Bolt
2	 Φ16 Plastic Washer	9	 Φ16 Wheel Washer
3	 Φ16 Metal Washer	10	 Φ3mm Wheel Pin
4	 .M10x55 Bolt	11	 M14x70 Bolt
5	 Φ10 Washer	12	 Φ14 Washer
6	 M10 Nut	13	 M14 Nut
7	 Φ14 Washer	14	 Lever

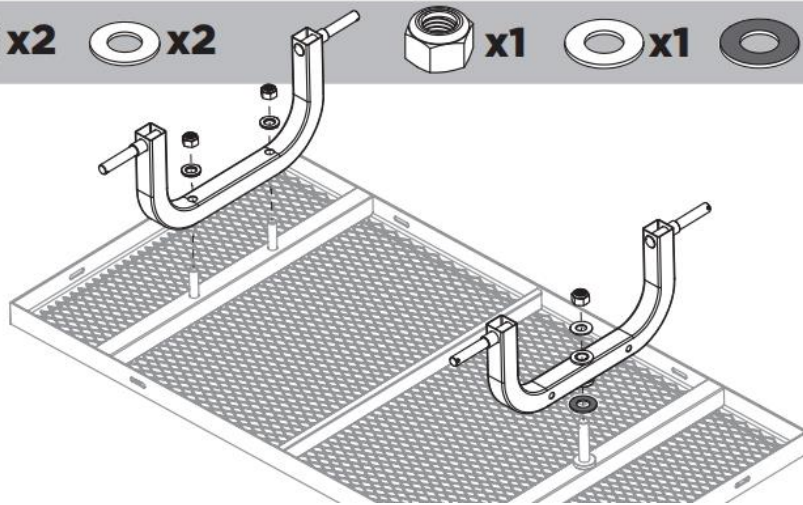
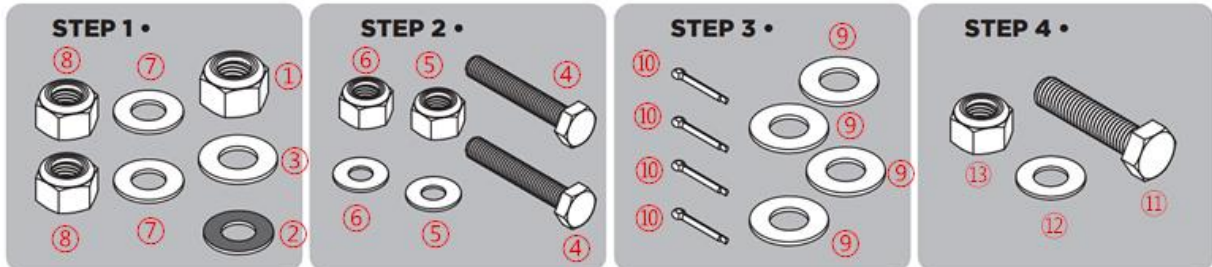


ASSEMBLY

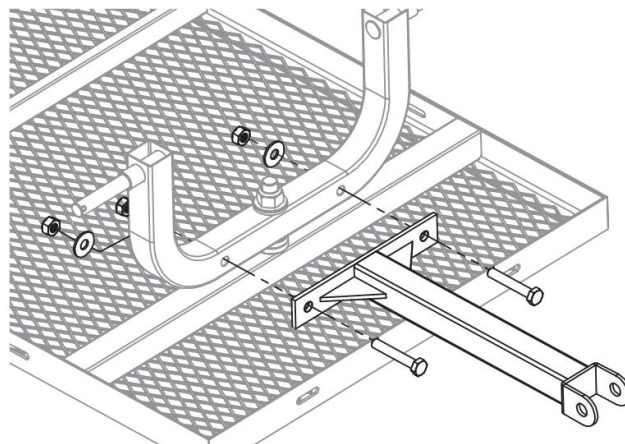


CAUTION

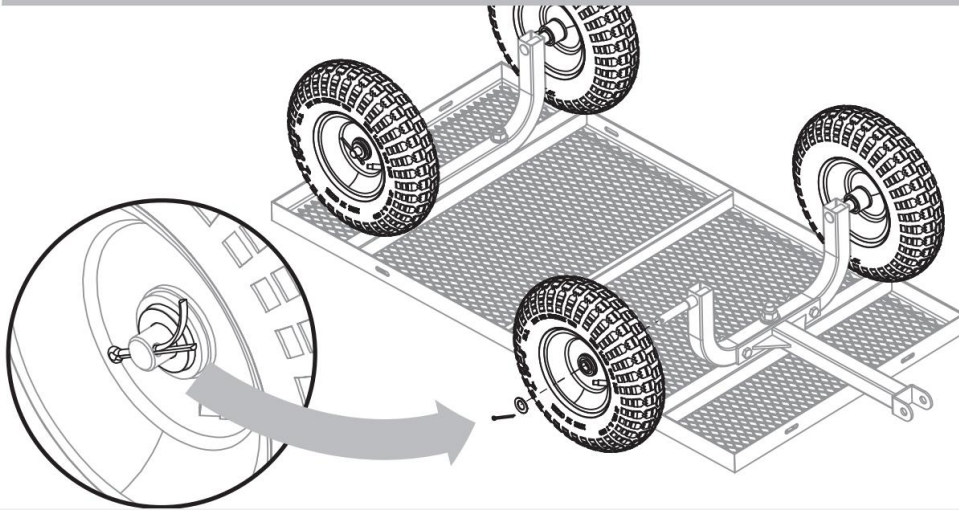
When assembling or using the trolley exercise caution at all times, the plug spikes are sharp and may result in serious injury to the user or bystanders.



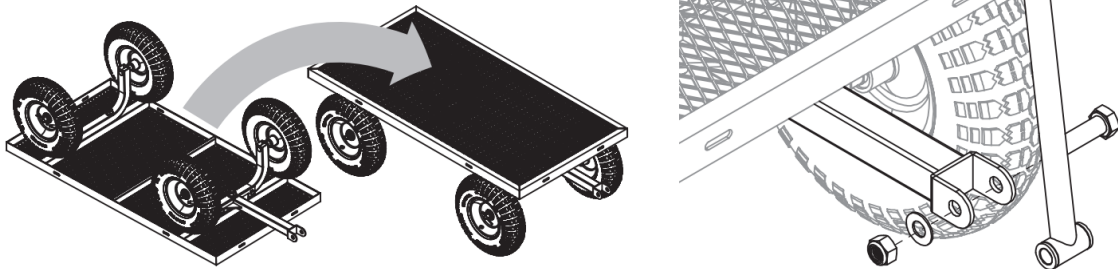
- Turn the Bed upside down. Have another adult assist you if necessary.
- Place the Rear U-Frame to the underside of the Bed and slot over the two fixing threads.
- Secure with 2x $\Phi 14$ Washer & 2x M14 Nut and tighten fully through the nylock material of the Nut.
- Place $\Phi 16$ Plastic Washer over the single fixing thread of the Bed.
- Place the Front U-Frame to the underside of the Bed and slot over the single fixing thread.
- Secure with $\Phi 16$ Metal Washer & M16 Nut and tighten fully through the nylock material of the Nut.



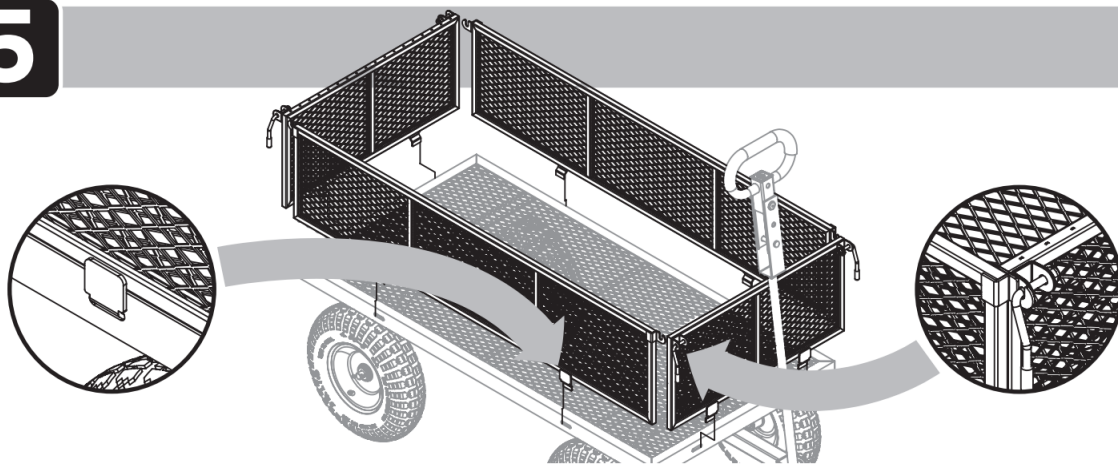
- Attach the T-Frame to the Front U-Frame with 2x M10x5 Bolt, 2x $\Phi 10$ Washer & M10 Nut. Fully tighten through the nylock material of the Nut.

3
 x4
  x4


- Place the four Wheel/Tyre assemblies over each of the front and rear axles.
- Place the 4x $\Phi 16$ Wheel Washers onto the axle.
- Secure with 4x $\Phi 3$ mm Wheel Pin. Push the Wheel Pin through the hole within the axle and then separate the two legs to ensure they do not fall out.

4
 x1
  x1
  x1


- Rotate the built trolley onto it's wheels. **(WE RECOMMEND A TWO PERSON LIFT)**
- Secure the Handle to the T-Frame with M14x70 Bolt, $\Phi 14$ Washer and M14 Nut. Fully tighten through the nylock material of the nut.

5

- Secure the 4x Levers to the Front and Rear Panels with the washer and nut. **Do not tighten.**

- Attach the Front and Rear Panels onto the Bed with the Levers on the outside of the panel. Lay horizontal.
- Attach the 2x Side Panels onto the Bed.
- Lift one Side Panel and the Front Panel and secure using the Lever. Continue to do this with the remaining Panels and Levers.
- Now tighten the nuts on each lever to ensure secure, but do not overtighten, as this can hamper easy release of panels going forward.

OPERATION



WARNING

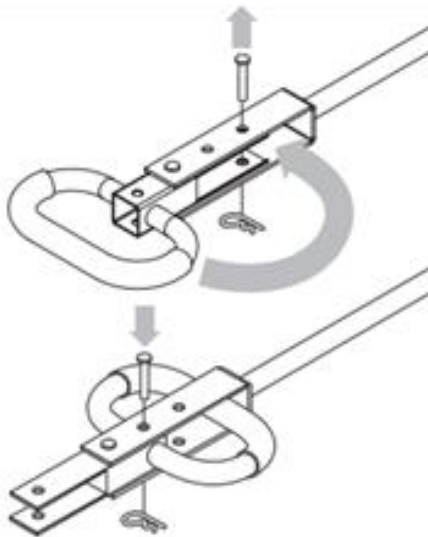
Before using the trolley, review the instructions below and safety information. Failure to follow these instructions may result in property damage or injury to the operator or bystanders.

USING YOUR TROLLEY

1. **DO NOT** exceed rated load capacity of 400kg.
2. **ALWAYS** secure and lock the trolley to the ride on machinery hitch before operating.
3. **ONLY** use approved vehicles when towing the trolley (Lawn/Garden Tractors and ATVs).
4. **DO NOT** over fill the trolley. Overflow loads can cause the trolley and towing vehicle if used to lose traction and skid out of control.
5. **ALWAYS** use the trolley for its intended purpose.
6. **ALWAYS** make sure that the tow vehicle and the combined weight of the operator **MUST BE** greater than the load of the trolley weight for proper control.
7. **DO NOT** use the trolley on public highways or roads. Use of this nature can cause premature wear of the tyres, not covered by the manufacturer's warranty.
8. **NEVER** exceed 5mph when towing the trolley.
9. **DO NOT** make sharp turns that may cause the Lawn/Garden Tractor or ATV tyres to rub against the trolley.
10. **ALWAYS** slow down before turning.
11. **ALWAYS** use caution when backing the trolley. To avoid the trolley from "jack-knifing" always back up in a straight line.
12. On sloped lawns, always operate in an up and down direction. **DO NOT** attempt to pull or tow across the slope always go in an up and down direction.

HANDLE - PULL TO TOW HITCH

To alter your handle from a pull handle to a tow hitch, remove the R-Clip from the Hitch Pin and remove the Pin from the handle. Rotate the handle and secure with the Hitch Pin and R-Clip.



CONVERTIBLE HANDLE

Easy grip handle minimizes hand discomfort while the pin-lock mechanism converts the handle to pull behind an ATV, lawnmower, or tractor

LINER

The Liner sits within the bed area. To affix to the sides, front and rear panels, place the securing tabs over the top of the panel and secure with the popper buttons.

TRAY

The Tray sits on top of the bed, with the securing hooks seated on the two side panels. The tray can be positioned anywhere along the bed.



MAINTENANCE



WARNING

Repairs and maintenance work other than those described within this instruction manual may be performed only by an authorised service agent.

Users of this product should only undertake actions described in this manual, unless otherwise instructed by the manufacturer. When repairing the product, always use approved replacement Handy Parts or those which are technically identical. Using high quality replacement parts avoid the risk of accidents, damage to the product and invalidating the manufacturer's warranty.

IMPORTANT:

If a part needs replacement, only use parts that meet the manufacturer's specifications. Replacement parts that do not meet specifications may result in a safety hazard or poor operation.

STORAGE

Never allow carried material to remain in the Trolley for extended periods of time. For years of trouble-free service, make sure the Trolley is clean and dry before storing.

Store in a dry protected area away from sunlight and severe weather in winter months.

If storing for an extended period, grease the axles and wheel bearings on the Trolley.

TROUBLESHOOTING



WARNING

If the product does not perform properly, makes unusual sounds, or any other irregularity or malfunction occurs, do not attempt to repair the product by yourself. Please contact customer services or your local authorised service dealer for advice.

NEED ASSISTANCE

For Spares or Support of your Handy product, please contact us:

Tel: 01793 333212

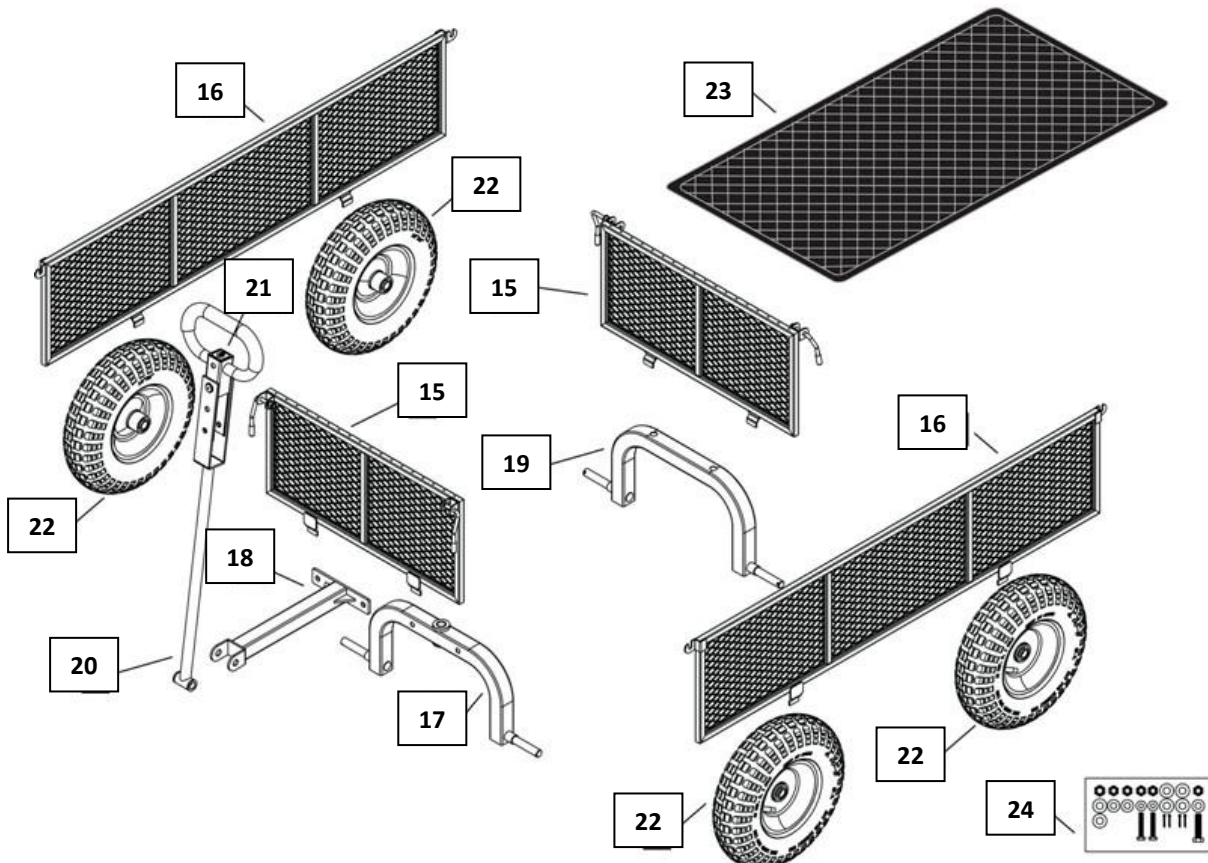
Email: customerservice@handydistribution.co.uk

Monday to Friday 8.00am to 5.30pm (excl. Bank Holidays)

PARTS DIAGRAM – THDLGT (1938208001)

1		8	
2		9	
3		10	
4		11	
5		12	
6		13	
7		14	

NOTE: Parts Lists are supplied for information purposes only, not all parts are stocked individually & we recommend you contact our Spares Team on 01793 333212 for expert advice.



PARTS LIST – THDLGT (1938208001)

ITEM	HANDY PART NUMBER	DESCRIPTION	QTY
1	TH257-1	M16 Nut	1
2	TH257-2	Φ16 Plastic Washer	1
3	TH257-3	Φ16 Metal Washer	1
4	TH257-4	M10x55 Bolt	2
5	TH257-5	Φ10 Washer	2
6	TH257-6	M10 Nut	2
7	TH257-7	Φ14 Washer	2
8	TH257-8	M14 Bolt	2
9	TH257-9	Φ16 Wheel Washer	4
10	TH257-10	Φ3mm Wheel Pin	4
11	TH257-11	M14x70 Bolt	1
12	TH257-12	Φ14 Washer	4
13	TH257-13	M14 Nut	1
14	TH257-14	Lever	4
15	TH257-15	Front/Rear Panels	2
16	TH257-16	Left/Right Side Panels	2
17	TH257-17	Front U-Frame Axle	1
18	TH257-18	T-Frame	1
19	TH257-19	Rear U-Frame Axle	1
20	TH257-20	Handle	1
21	TH257-21	Handle Box	1
22	TH215-5-5	Wheel with Puncture-Less Tyre	4
23	TH257-23	Frame	1
24	THDLGT-FIXINGKIT	Fixing Kit	1
25	THDLGT-LINER	Liner	1
26	THDLGT-TRAY	Tray	1

GJ HANDY & CO LTD USER WARRANTY POLICY

Users Statement of Warranty

Each new machine is warranted against defective material or assembly of material under normal usage. The warranty applies to the original purchaser and covers faulty parts and the labour involved in replacing and repairing those parts, which are of original manufacture.

Period of Warranty

Webb (excludes Electric Handheld, Dynamic, Heritage, Legacy), Webb Pro, Sanli Engine

- a) 2 years from the original date of sale to the first domestic user.
- b) 90 days from the original date of sale to the professional/commercial user.
- c) 90 days from the original date of sale when used for hire.
- d) A reduced warranty period of 90 days applies to those items which are subject to normal wear and tear (e.g. but not limited to wheels, tyres, cutter bars, cylinders, cutting blades, blade boss, belts, cables, nylon line & spool, collection bags, spark plugs).
- e) Engines are supplied with a separate warranty to the machine. The engine manufacturers warranty statement which will be supplied within the engine instruction manual. All enquiries and warranty repairs should be discussed with the engine manufacturer or approved warranty repair dealer.
- f) 90 days from the original date of purchase for Replacement Spare Parts (unless normal wear & tear component, which are covered for 30 days).
- g) All machines' must be serviced within the first 12 months from the original date of purchase to comply with the warranty, failure to do so will invalidate the 2nd year of the warranty.

Webb Electric Handheld, Webb Dynamic, Heritage & Legacy, Handy, Mowerland, Q-Garden

- a) 1 year from the original date of sale to the first domestic user.
- b) 90 days from the original date of sale to the professional/commercial user.
- c) 90 days from the original date of sale when used for hire.
- d) A reduced warranty period of 90 days applies to those items which are subject to normal wear and tear (e.g. but not limited to wheels, tyres, cutter bars, cylinders, cutting blades, blade boss, belts, cables, nylon line & spool, collection bags, spark plugs).
- e) Engines are supplied with a separate warranty to the machine. The engine manufacturers warranty statement which will be supplied within the engine instruction manual. All enquiries and warranty repairs should be discussed with the engine manufacturer or approved warranty repair dealer.
- f) 90 days from the original date of purchase for Replacement Spare Parts (unless normal wear & tear component, which are covered for 30 days).

All warranty repairs must be undertaken by an authorised service dealer. These dealers have been accredited by GJ Handy & Co Ltd and agree to only use genuine parts and follow our repair procedures.

Not covered by this warranty

- a) The warranty policy does not cover any depreciation or damages caused by ordinary wear, rusting or corrosion, lack of correct maintenance or operation, misuse, abuse, lack of transportation or accident.
- b) The warranty policy does not cover any costs necessary for the standard periodic maintenance services instructed by the operator's manual, or service parts replacement which would include oil, filters, tyres, belts, brake linings, fuses, blades, seals and other service parts unless it can be proven that the item has evidence of faulty manufacture.
- c) The warranty policy will not cover failure or damage caused as a result of parts or accessories being modified without the written approval of GJ Handy & Co Ltd.
- d) The warranty policy will not cover the unit if non-genuine parts have been fitted and as a result damage has occurred to the unit.
- e) The warranty policy is non-transferable and is only applicable to the original purchaser.

Disclaimer

- a) This warranty is only a remedy for defect of products. GJ Handy & Co Ltd will never warranty in terms of the merchantability or the fitness for a particular purpose.
- b) No person is authorised to make any warranties, representations or promises, expressed or implied, on behalf of GJ Handy & Co Ltd, or to modify the terms conditions or limitation of this warranty policy in any way.
- c) Neither GJ Handy & Co Ltd nor any company affiliated with GJ Handy & Co Ltd shall be liable in any event or manner whatsoever for incidental or consequential damages or injuries, including, but not limited to, loss of crops, loss of profit, out of pocket expenses or profits, rental of substitute equipment or other commercial losses.

General

- a) Most warrantable failures show up within the first few weeks of use. These failures are usually straightforward and warranty assessment is relatively easy.
- b) Failures relating to cutter decks and belts need careful investigation, as the cause may not always be straightforward. Look for damage to blades and pulleys especially when the cutter belt or blade boss have snapped or cracked as this could be due to impact damage.
- c) Customers should always refer to the operator/instruction manual when any disputed problem arises, you will find most areas covered within the manual.

NOTES

**For spares or support of your handy product,
please contact us:**

Tel: 01793 333212

**Email: customerservice@handydistribution.co.uk
(Mon – Fri 8.00am to 5.30pm excl. Bank Holidays)**

To see our range of garden machinery & equipment visit:

www.thehandy.co.uk

Making gardening easier & affordable since 1938

Distributed by Handy Distribution, Murdock Road, Dorcan, Swindon, SN3 5HY